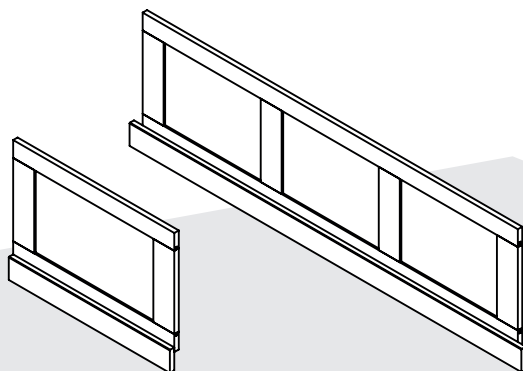


IMPERIAL

Bath Panel Installation Instructions




Important Information:

Please check the products for transport damage and that contents are complete before installation.

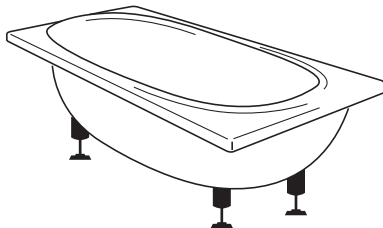
Consult a qualified plumber if you have any problems installing this product.

Complaints made following installation regarding the above cannot be accepted.

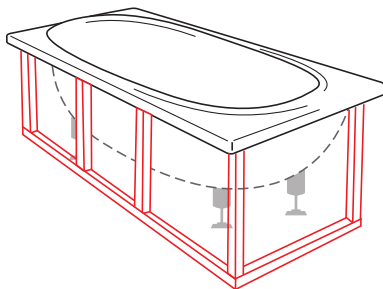
Before you begin

 **CAUTION: Risk of personal injury or product damage, be prudent and get help when it comes to lift up the bathtub.**

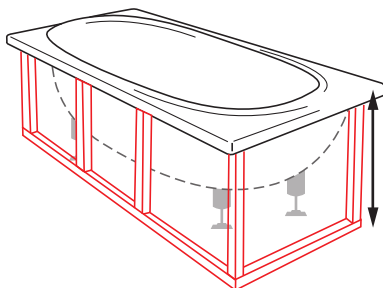
1. Install bath.



2. Build a wooden constructed frame around the bath.



3. Measure the distance between the top and bottom of the frame

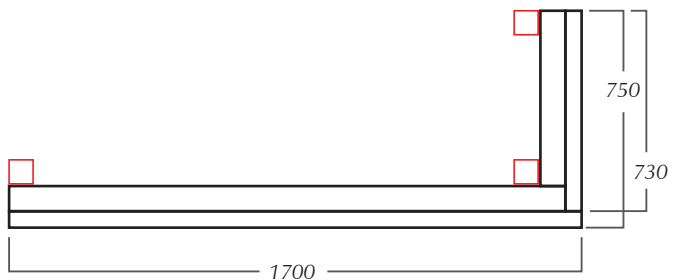
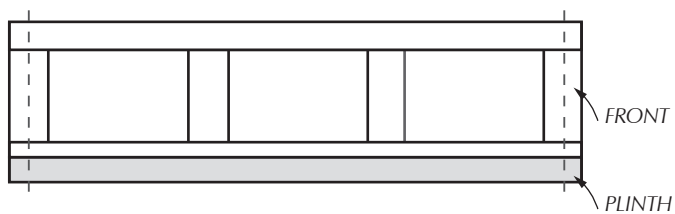
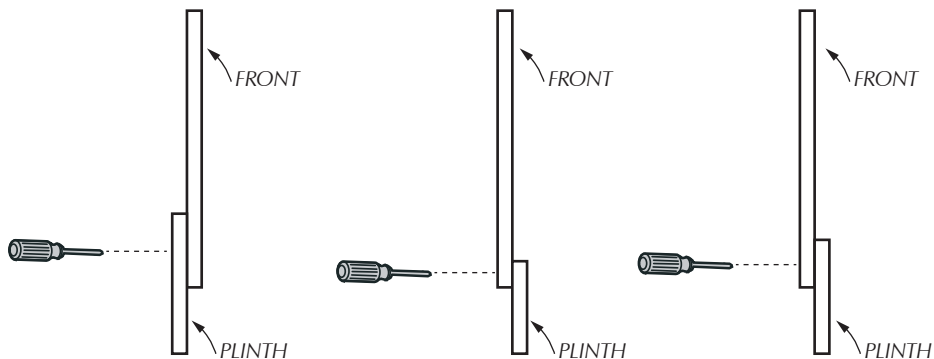


4. Depending on your bath panel screw plinth to the panel as shown below:

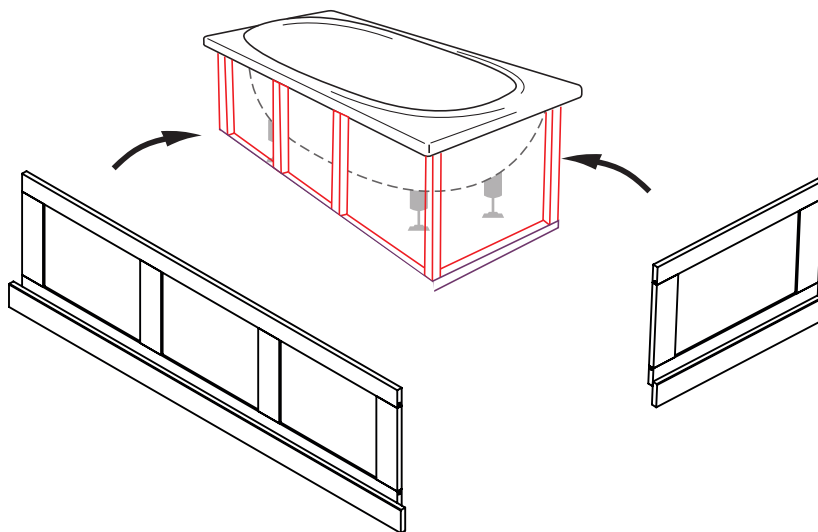
CUDA PANEL

LINEA PANEL

BARRINGTON / THURLESTONE /
SHAKER PANEL



5. Mount the bath panel and plinth to the frame.



This completes the bath panel installation.

Care & Maintenance

You have just acquired a high quality and expensive piece of furniture and are about to put it in the most hostile environment in the house! We have been producing these fine products for many years and our experience is that they will give years of pleasurable service if a few simple measures are taken to look after them.

Wood:

Bathroom furniture can be wiped over using a damp cloth and dried with a soft duster. The use of polishes using silicon or any abrasive materials can damage the wood finish. Natural wax polishes should be used sparingly and applied using a soft dry cloth.

Always use your best efforts to keep the wood surface dry. The finish will deteriorate and the underlying timber could become permanently stained if subjected to long term contact with water.