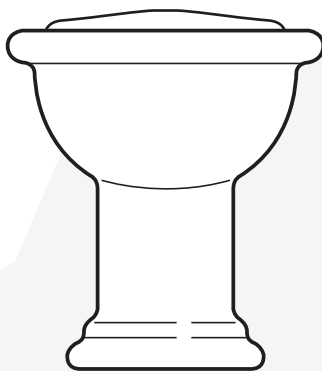


IMPERIAL

Back to wall pan



Important Information:

Please check the products for transport damage and that contents are complete before installation.

Consult a qualified plumber if you have any problems installing this product.

Complaints made following installation regarding the above cannot be accepted.

Thank you for purchasing this Imperial product.
These instructions relate to our Back to wall WC pans.
Before you start check you have the necessary tools for installation.

Before you begin:

**⚠ Always handle our products with care and attention.
Ceramic products are brittle, and may chip, crack or break if not handled carefully. Broken ceramic is extremely sharp.**

Take care not to over tighten screws and fittings. Over tightening may lead to breaks or chips in the ceramic.
Before installing the product, please inspect for damage incurred during transport. Imperial can not take responsibility for damaged products after or during their installation.

We recommend that the guidance of a qualified plumber is sought throughout the installation process.
Always observe the plumbing and building regulations in the area the product is being installed in.
Imperial reserves the right to amend the design of its products without notice, as specified in the company catalogue.

Tools Required

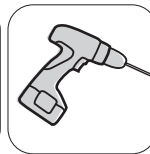
The following tools are necessary for the installation of this product.
Imperial would once again recommend that a qualified plumber carry out the installation of this product.



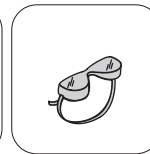
Spanner



Silicone Sealant



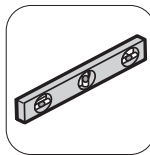
Drill



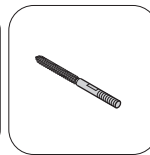
Safety Glasses



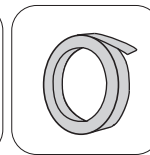
Pencil



Spirit Level



Basin Bolts Kit



PTFE Tape

Installing Back to wall pan

⚠ Carefully measure and install the concealed cistern prior to installing the back to wall WC pan. Ensure that you have a clear space within which to work. Place the WC pan into position and mark the position of the fixing holes.

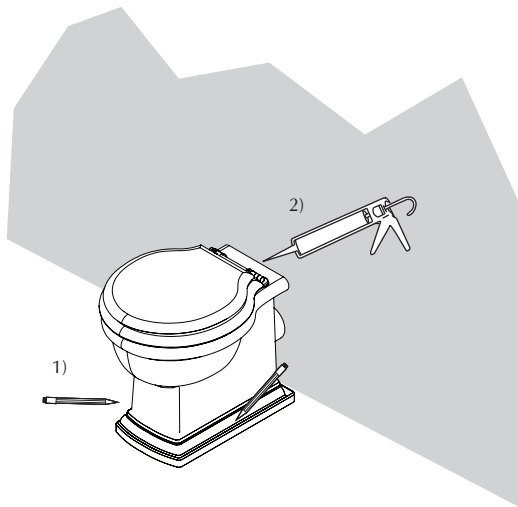
Remove the toilet pan from the wall and drill the marked points.

Insert the 8 x 60mm plugs for the floor fixing (solid floors only).

Re-position the pan upto the wall and attach the waste pipe and water inlet to the WC pan. Secure the toilet pan to the floor/wall by using the fixings supplied/selected.

Once you are satisfied that the pan has been installed correctly and the fixings are adequately tightened switch on the water supply to the inlet valve and once the concealed cistern is filled operate the flush cycle.

⚠ Operate the flush cycle a few times and continually check carefully for signs of leaks from the inlet valve or toilet outlet if no leaks are evident, your toilet installation is complete.



Care and Cleaning instruction

Looking After Your Toilet

The glazed finish on your sanitaryware should be cleaned after use by applying a little cream type cleaner. Apply using a sponge or damp cloth and rinse thoroughly with clean water. Cleaners containing abrasive materials should be avoided.

Bathroom vanity furniture can be wiped over with a damp cloth and dried with a soft duster. The use of polish containing silicone or any abrasive materials can damage the wood finishes. Natural wax polishes should be used sparingly.

Guarantees (UK & Ireland)

Vitreous china manufactured by the Imperial Bathroom Company carries a life time guarantee against failure caused by defect.

For products sold outside of the UK and Ireland please refer to the guarantees section of the IMPERIAL catalogue.

Manufacturing Policy

The policy of the imperial bathroom company is one of continuous improvement. We therefore reserve the right to alter or amend specifications/ dimensions and prices without notice and to withdraw specific items/ colours without notice.

Care and Cleaning instruction

Looking After Your Toilet

The glazed finish on your sanitaryware should be cleaned after use by applying a little cream type cleaner. Apply using a sponge or damp cloth and rinse thoroughly with clean water. Cleaners containing abrasive materials should be avoided.

Bathroom vanity furniture can be wiped over with a damp cloth and dried with a soft duster. The use of polish containing silicone or any abrasive materials can damage the wood finishes. Natural wax polishes should be used sparingly.

Guarantees (UK & Ireland)

Vitreous china manufactured by the Imperial Bathroom Company carries a life time guarantee against failure caused by defect.

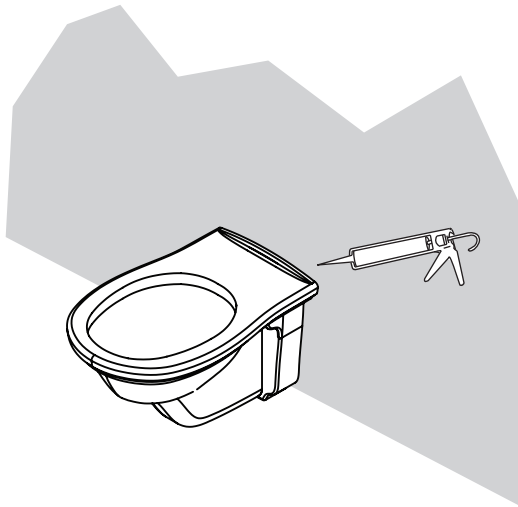
For products sold outside of the UK and Ireland please refer to the guarantees section of the IMPERIAL catalogue.

Manufacturing Policy

The policy of the imperial bathroom company is one of continuous improvement. We therefore reserve the right to alter or amend specifications/ dimensions and prices without notice and to withdraw specific items/ colours without notice.

Installing Wall hung pan

- ⚠ Carefully measure and install all necessary pipework prior to installing the toilet. Ensure that you have a clear space within which to work. Install concealed cistern frame. Please use suitable fixings for your wall type. Offer up the Wall hung WC pan ensuring that the protruding bolts pass clearly through the fitting holes. Connect the pan to water inlet and waste outlet. Secure the toilet pan to the wall by tightening securing nuts. Once you are satisfied that the pan has been installed correctly and the fixings are adequately tightened turn on the water supply and once the cistern is filled operate the flush cycle.
- ⚠ Operate the flush cycle a few times and continually check carefully for signs of leaks from the inlet valve or toilet outlet if no leaks are evident, your toilet installation is complete.



Thank you for purchasing this Imperial product.
 These instructions relate to our wall hung WC pans and wall hung bidets.
 Before you start check you have the necessary tools for installation.

Before you begin:

**⚠ Always handle our products with care and attention.
 Ceramic products are brittle, and may chip, crack or break if not handled carefully. Broken ceramic is extremely sharp.**

Take care not to over tighten screws and fittings. Over tightening may lead to breaks or chips in the ceramic.
 Before installing the product, please inspect for damage incurred during transport. Imperial can not take responsibility for damaged products after or during their installation.

We recommend that the guidance of a qualified plumber is sought throughout the installation process.
 Always observe the plumbing and building regulations in the area the product is being installed in.
 Imperial reserves the right to amend the design of its products without notice, as specified in the company catalogue.

Tools Required

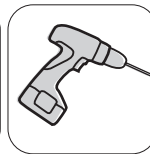
The following tools are necessary for the installation of this product.
 Imperial would once again recommend that a qualified plumber carry out the installation of this product.



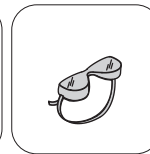
Spanner



Silicone Sealant



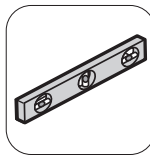
Drill



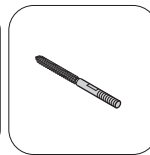
Safety Glasses



Pencil



Spirit Level



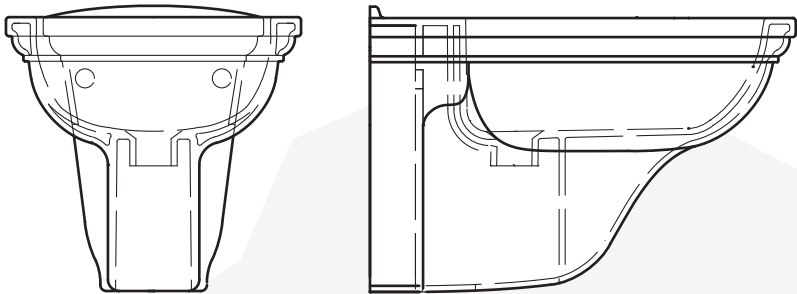
Basin Bolts Kit



PTFE Tape

IMPERIAL

Wall hung pan / wall hung bidet



Important Information:

Please check the products for transport damage and that contents are complete before installation.

Consult a qualified plumber if you have any problems installing this product.

Complaints made following installation regarding the above cannot be accepted.