

IMPERIAL

Installation instructions for Carlyon Roseland wall hung vanity units



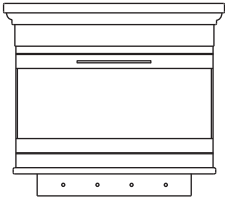
Important Information:

Please check the products for transport damage and that contents are complete before installation.

Consult a qualified plumber if you have any problems installing this product.

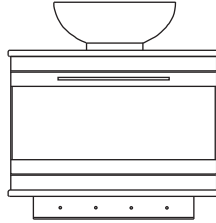
Complaints made following installation regarding the above cannot be accepted.

General Instructions

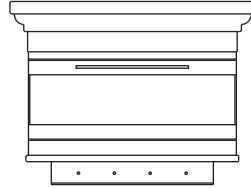


2 Drawer Vanity
Unit

Supplied with Wall Bolts

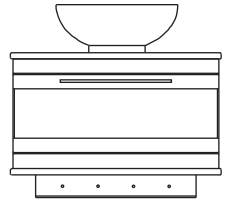


2 Drawer Vessel
Bowl Unit



1 Drawer Vanity
Unit


Supplied with Wall bolts



1 Drawer Vessel
Bowl Unit

Thank you for purchasing this Imperial product. Please take a moment to review this manual before you install your product. If you encounter any installation or performance problems, please do not hesitate to contact us using the phone number listed on the back cover of the booklet.

Upon receiving your product please open all cartons carefully and inspect for any manufacturing defects or transit damage.

 Imperial cannot be held responsible for damaged products after or during their installation.

This installation guide and the fixings provided are intended for fixing into solid walls. If you are installing this product into a stud wall structure or any other type of non solid wall please amend your installation techniques and fixings accordingly.

 Ensure that you have a clear space within which to work.

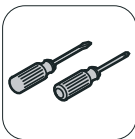
Imperial recommend the guidance of a qualified plumber in the installation process.

Always observe the plumbing and building regulations in the area the product is being installed in.

Tools Required



drill



screwdriver



spirit level



pencil



spanner



silicon

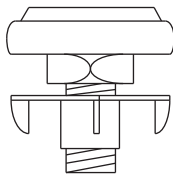
Wall-hung vanity units

- Prior to installation ensure all necessary pipework and plumbing is carried out.
- Check wall for level.
- Measure the distances between hole centres along the rear top and bottom rail of the unit. Using these measurements, mark up the wall where holes will need to be drilled - taking care to position the unit so that fixings will secure into brick and not mortar (this is crucial to ensure a solid and secure installation).
- Mount the unit to the wall ensuring all fastenings are tight and secure.
- Position the basin onto the unit checking for correct position. When in position, on the underside of the basin to the rear are two holes, mark the hole position.
- Remove the basin from the vanity unit in preparation to drill the holes for the basin anchor bolts.

CAUTION: It is advised that the unit is removed from the wall prior to drilling the holes for the basin anchor bolts as brick dust can damage the drawer runners and mark the finish to the cabinet.

Imperial cannot accept liability in the event the advice is omitted.

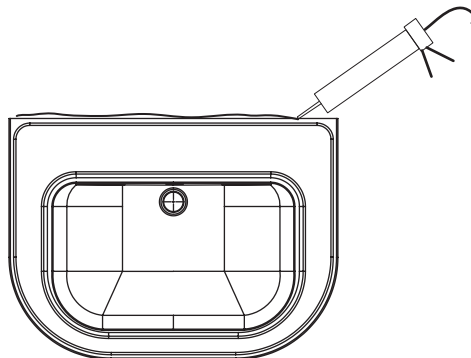
- It is paramount that the fischer bolts are fitted and the basin is bolted to the wall. In the event the basin wall anchor bolts are omitted from the installation, irreparable damage can be caused to the vanity unit resulting in warranty becoming void.
- The vanity unit can now be refitted to the wall and the basin fitted onto the unit, checking the unit fasteners and wall anchor bolts are tight and secure.
- The vanity unit has two adjustable load bearers as illustrated below.



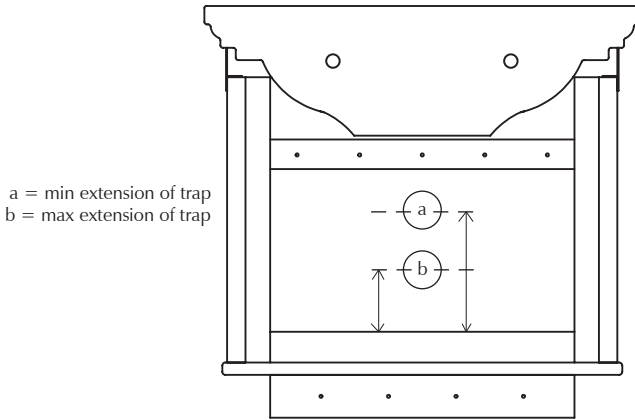
Adjust the load Bearers until Contact is made to the underside of the ceramic basin

When this is complete the taps and waste fittings can now be installed.

Its is recommended that the rear top face of the basin against the wall is piped with silicone to prevent water running down the back of the unit.



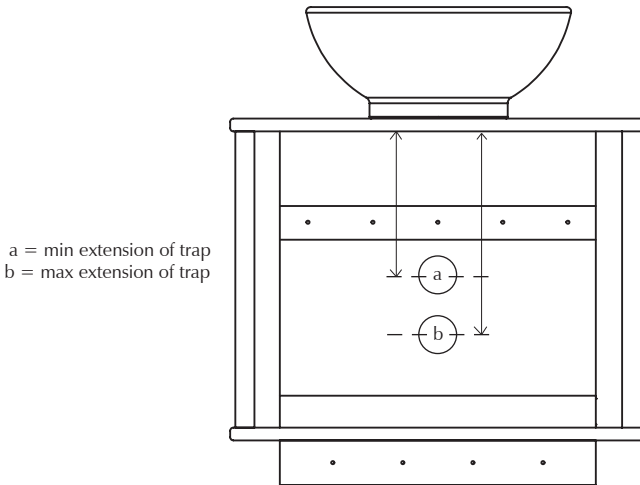
Carlyon 2 drawer wall-hung vanity unit - waste pipe outlet dimensions



Measurements taken from the centre of the waste outlet on the trap to the inside top edge of the bottom batten allowing a 5mm gap between the bottom of the trap and drawer cut-out.

	Standard Waste	Pop-Up Waste
Trad Bottle Trap	242mm min 204mm max	230mm min 204mm max
Modern Bottle Trap	231mm min 180mm max	218mm min 180mm max
P Trap	261mm min 222mm max	242mm min 213mm max
S Trap	N/A	N/A

Carlyon 2 drawer wall-hung vessel bowl unit - waste pipe outlet dimensions

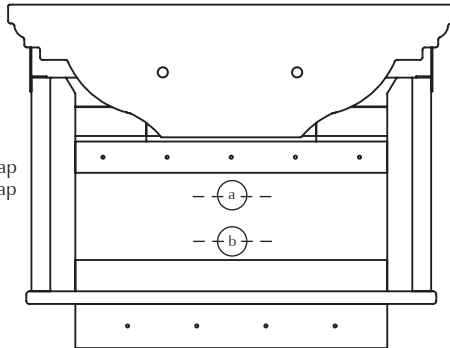


Measurements taken from the underside of furniture top to the centre of the waste/outlet

	Standard Waste	Pop-Up Waste
Trad Bottle Trap	62mm min 16mm max	N/A
Modern Bottle Trap	75mm min 173mm max	N/A
P Trap	54mm min 98mm max	N/A
S Trap	N/A	N/A

IMPERIAL

Carlyon 1 drawer wall-hung vanity unit - waste pipe outlet dimensions

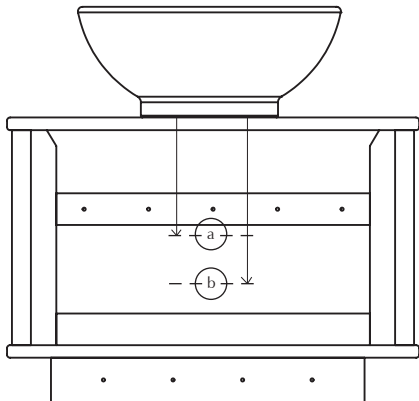


a = min extension of trap
b = max extension of trap

*Assuming a 5mm gap between the end of the trap to floor of unit is at maximum extension

	Standard Waste	Pop-Up Waste
Trad Bottle Trap	143mm min *113mm max	128mm min *113mm max
Modern Bottle Trap	132mm min *90mm max	116mm min *90mm max
P Trap	154mm min 119mm max	140mm min 119mm max
S Trap	N/A	N/A

Carlyon 1 drawer wall-hung vessel bowl unit - waste pipe outlet dimensions



	Standard Waste	Pop-Up Waste
Trad Bottle Trap	62mm min 16mm max	N/A
Modern Bottle Trap	75mm min 173mm max	N/A
P Trap	54mm min 98mm max	N/A
S Trap	N/A	N/A

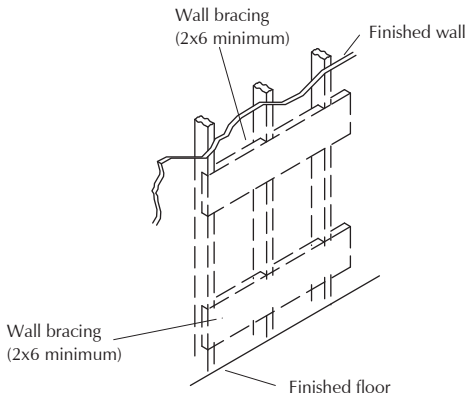
Fitting onto a stud wall

When installing our wall hung furniture units into a stud wall it is necessary to add additional support in order to ensure the unit can be securely and safely installed.

Install the wall bracing at a minimum of 2x6" and the width of the unit ensuring that there are an adequate number of stud beams to anchor the bracing.

Mark the centre line and continue to finish the wall as required. Mount the unit using suitable fixings for your wall type.

To ensure that the unit can meet strict load performance targets is important that the bottom batten of the unit is utilised, and therefore the addition of an extra horizontal beam between studs will be required.



⚠ Imperial strongly recommend to mount the unit using the wall bracing method in the event the wall substrate is not of solid construction. The furniture unit is tested to withstand a maximum load in line with guidance set by European standards.

⚠ If the furniture is fixed using a basin frame Imperial cannot guarantee the load bearing capacity of the unit.

You have just acquired a high quality and expensive piece of furniture and are about to put it in the most hostile environment in the house! We have been producing these fine products for many years and our experience is that they will give years of pleasurable service if a few simple measures are taken to look after them.

Ceramic:

The glazed finish of your sanitary ware should be cleaned after use by applying a little cream type cleaner. Apply using a sponge or damp cloth and rinse thoroughly with clean water. Cleaners containing abrasive materials should be avoided.

Metal:

Parts with Chrome/Gold finish should be cleaned with a damp soft cloth only. The use of detergents and abrasive cleaning agents should be avoided as these will cause damage to the finish of the metal.

Care and cleaning of Imperial products

To preserve the finish of Gold and Nickel plated items Imperial recommend the use of soap and water only for cleaning and ensure that the product is thoroughly dried after with a soft lint free cloth. Do not use abrasive polish or cleaners.

Commercial/domestic spray cleaners are not to be used as they contain strong chemicals that will burn and even remove the plated finish.

In the event of strong bleaches or cleaning products being used resulting in plated finish being chemically burnt/tarnished will be void any warranty or guarantee.

Care should be taken with hand gels and mouth wash as they contain alcohol which will burn and tarnish the plated finish.

In the event of spillage as listed above revert to the cleaning instruction above.

Wood:

Bathroom furniture can be wiped over using a damp cloth and dried with a soft duster. The use of polishes using silicone or any abrasive materials can damage the wood finish. Natural wax polishes should be used sparingly and applied using a soft dry cloth.

Always use your best efforts to keep the wood surface dry. The finish will deteriorate and the underlying timber could become permanently stained if subjected to long term contact with water.

Dark and light oak oiled finishes

Units and cabinets are manufactured from solid wood and have been crafted and finished by hand within Imperial's factory.

The finish is applied by hand onto solid wood to maintain the natural look of the grain. The surface is not finished with a clear lacquer.

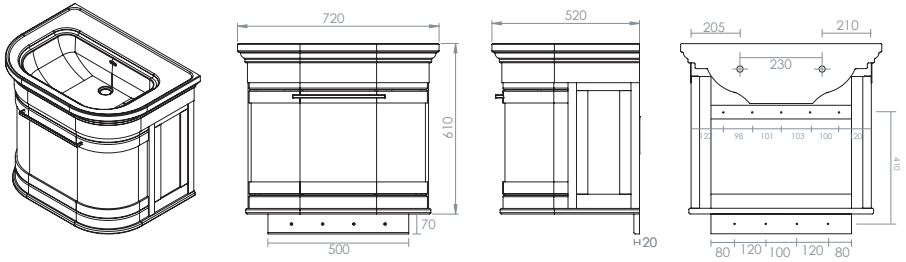
Like all hand made quality furniture within the home, care needs to be taken against spillage otherwise the finish could become compromised resulting in permanent staining of the wood surface.

Spillages should be wiped dry immediately after use with a soft lint free cloth.

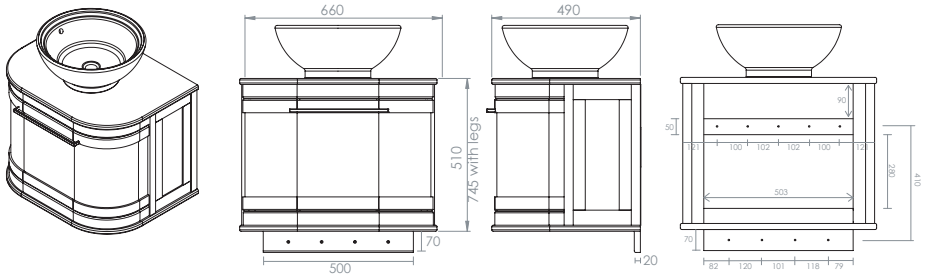
In the event of staining or damage a care kit or recovery kit is required. Please visit www.rubimonocoat.com for advice and sales of these products.

Technical specification

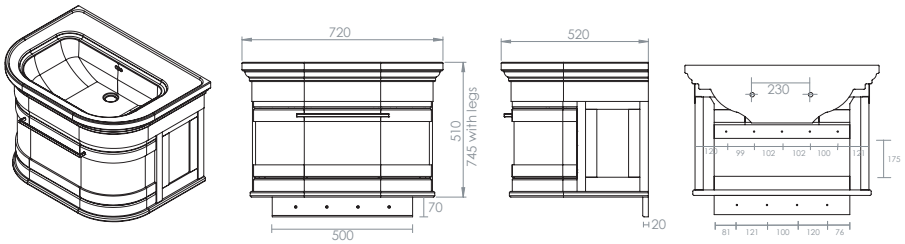
Carlyon 2 drawer wall-hung vanity unit



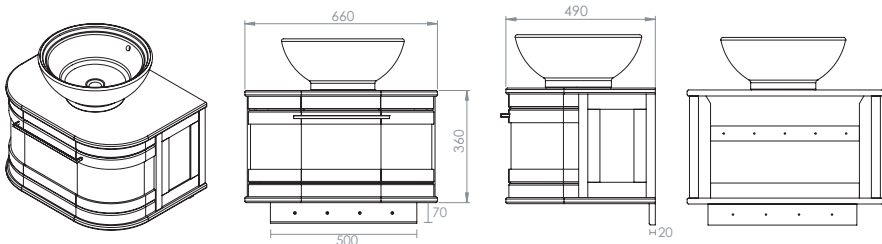
Carlyon 2 drawer wall-hung vessel bowl unit



Carlyon 1 drawer wall-hung vanity unit



Carlyon 1 drawer wall-hung vessel bowl unit



IMPERIAL

The Imperial Bathroom Company
England

Tel: +44 (0)1922 743074, Fax: +44 (0)1922 743180
www.imperial-bathrooms.co.uk