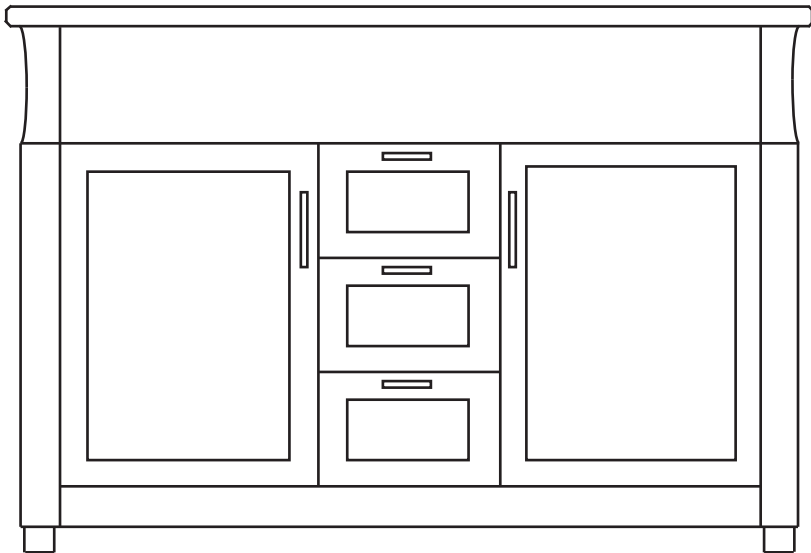


IMPERIAL

Installation instructions for Radcliffe Westbury Twin Vanity Unit
with 3 Drawers



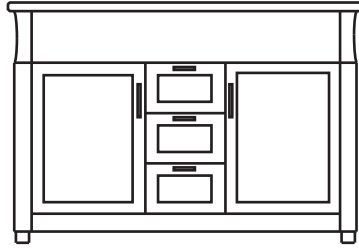
Important Information:

Please check the products for transport damage and that contents are complete before installation.

Consult a qualified plumber if you have any problems installing this product.

Complaints made following installation regarding the above cannot be accepted.


General Instructions




Westbury Twin Vanity Unit
with 3 Drawers

Thank you for purchasing this Imperial product. Please take a moment to review this manual before you install your product. If you encounter any installation or performance problems, please do not hesitate to contact us using the phone number listed on the back cover of the booklet.

Upon receiving your product please open all cartons carefully and inspect for any manufacturing defects or transit damage.

 Imperial cannot be held responsible for damaged products after or during their installation.

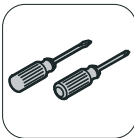
 Ensure that you have a clear space within which to work.
Imperial recommend the guidance of a qualified plumber in the installation process.

Always observe the plumbing and building regulations in the area the product is being installed in.

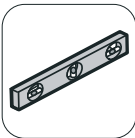
Tools Required



drill



screwdriver



spirit level



pencil



spanner

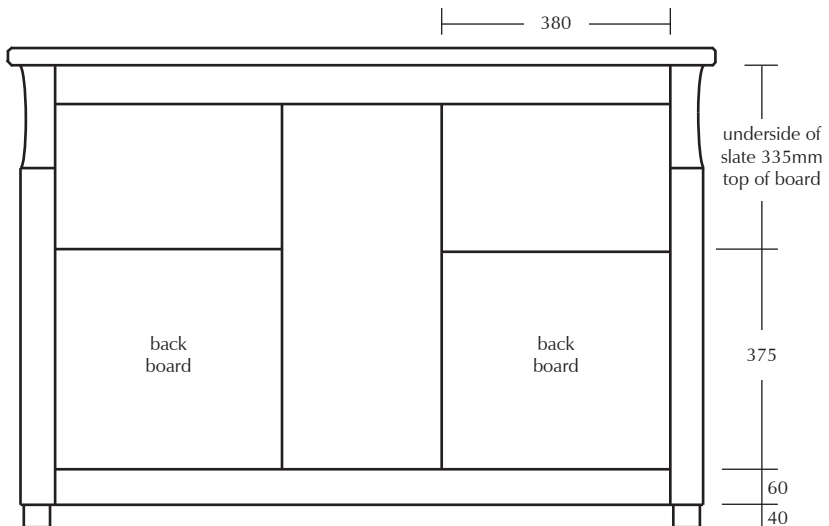


silicon

⚠️ Prior to drilling check for hidden cables & pipes

- Prior to installation ensure all necessary pipework and plumbing is carried out.
- Check wall for level.

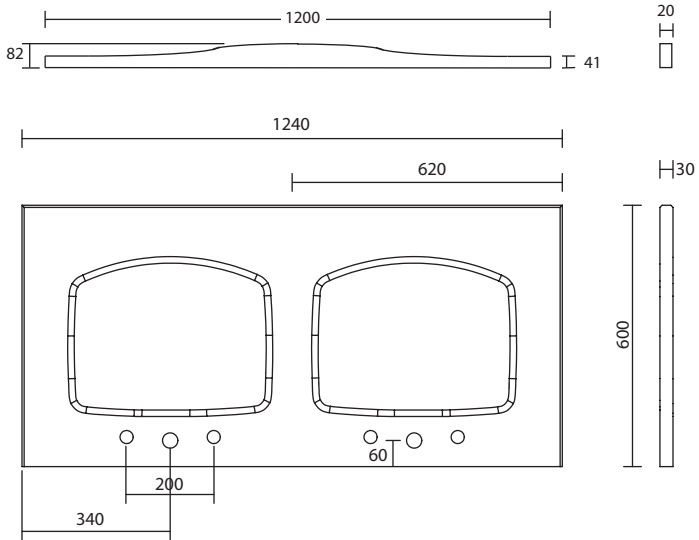
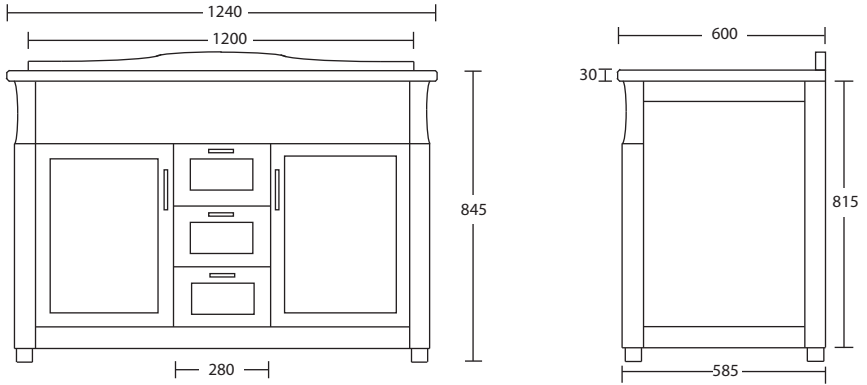
Waste (Wall) Outlet Position



	Trad Bottle	Modern Bottle	P Trap	S Trap
Standard Waste	(430) 55mm min (396) 21mm max	(419) 44mm min (396) 21mm max	(446) 71mm min (396) 21mm max	N/A
Pop-Up Waste	(418) 43mm min (396) 21mm max	(407) 32mm min (396) 21mm max	(430) 55mm min (396) 21mm max	N/A

(max) = top of backboard (375mm) + (pipe clearance + 1/2 waste diameter)

Technical specification



You have just acquired a high quality and expensive piece of furniture and are about to put it in the most hostile environment in the house! We have been producing these fine products for many years and our experience is that they will give years of pleasurable service if a few simple measures are taken to look after them.

Ceramic:

The glazed finish of your sanitaryware should be cleaned after use by applying a little cream type cleaner. Apply using a sponge or damp cloth and rinse thoroughly with clean water. Cleaners containing abrasive materials should be avoided.

Metal:

Parts with Chrome/Gold finish should be cleaned with a damp soft cloth only. The use of detergents and abrasive cleaning agents should be avoided as these will cause damage to the finish of the metal.

Care and cleaning of Imperial products

To preserve the finish of Gold and Nickel plated items Imperial recommend the use of soap and water only for cleaning and ensure that the product is thoroughly dried after with a soft lint free cloth. Do not use abrasive polish or cleaners.

Commercial/domestic spray cleaners are not to be used as they contain strong chemicals that will burn and even remove the plated finish.

In the event of strong bleaches or cleaning products being used resulting in plated finish being chemically burnt/tarnished will be void any warranty or guarantee.

Care should be taken with hand gels and mouth wash as they contain alcohol which will burn and tarnish the plated finish.

In the event of spillage as listed above revert to the cleaning instruction above.

Wood:

Bathroom furniture can be wiped over using a damp cloth and dried with a soft duster. The use of polishes using silicon or any abrasive materials can damage the wood finish. Natural wax polishes should be used sparingly and applied using a soft dry cloth.

Always use your best efforts to keep the wood surface dry. The finish will deteriorate and the underlying timber could become permanently stained if subjected to long term contact with water.

Dark and light oak oiled finishes

Units and cabinets are manufactured from solid wood and have been crafted and finished by hand within Imperial's factory.

The finish is applied by hand onto solid wood to maintain the natural look of the grain. The surface is not finished with a clear lacquer.

Like all hand made quality furniture within the home, care needs to be taken against spillage otherwise the finish could become compromised resulting in permanent staining of the wood surface.

Spillages should be wiped dry immediately after use with a soft lint free cloth. In the event of staining or damage a care kit or recovery kit is required.

IMPERIAL

The Imperial Bathroom Company
England

Tel: +44 (0)1922 743074, Fax: +44 (0)1922 743180
www.imperial-bathrooms.co.uk