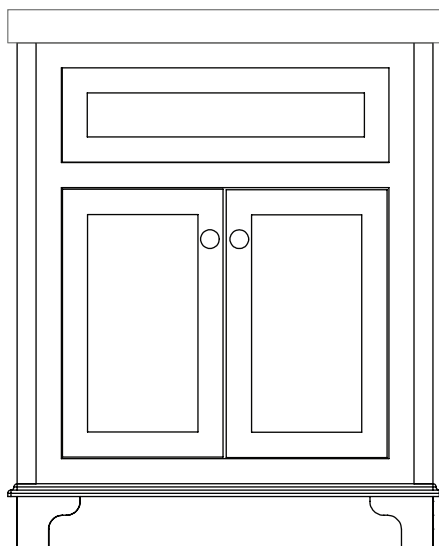


# IMPERIAL

Installation instructions for Thurlestone 2 door vanity unit



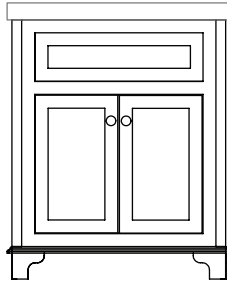
**Important Information:**

Please check the products for transport damage and that contents are complete before installation.

Consult a qualified plumber if you have any problems installing this product.

Complaints made following installation regarding the above cannot be accepted.


## General Instructions




Thurlestone 2 door vanity unit

Thank you for purchasing this Imperial product. Please take a moment to review this manual before you install your product. If you encounter any installation or performance problems, please do not hesitate to contact us using the phone number listed on the back cover of the booklet.

Upon receiving your product please open all cartons carefully and inspect for any manufacturing defects or transit damage.

 Imperial cannot be held responsible for damaged products after or during their installation.

This installation guide and the fixings provided are intended for fixing into solid walls. If you are installing this product into a stud wall structure or any other type of non solid wall please amend your installation techniques and fixings accordingly.

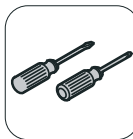
 Ensure that you have a clear space within which to work. Imperial recommend the guidance of a qualified plumber in the installation process.

Always observe the plumbing and building regulations in the area the product is being installed in.

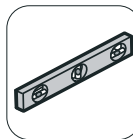
## Tools Required



drill



screwdriver



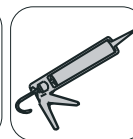
spirit level



pencil



spanner



silicon

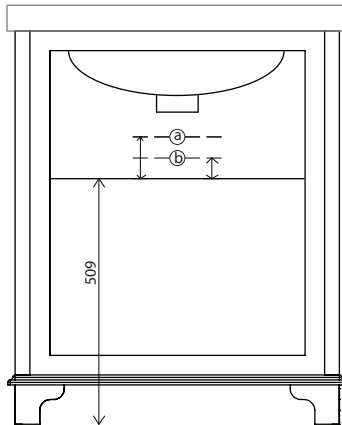
## Wall-hung vanity units

### ⚠️ Prior to drilling check for hidden cables & pipes

- Prior to installation ensure all necessary pipework and plumbing is carried out.
- Check wall for level.
- Measure the distances between hole centres along the rear top rail of the unit, Using these measurements, mark up the wall where holes will need to be drilled - taking care to position the unit so that fixings will secure into brick and not mortar (this is crucial to ensure a solid and secure installation).

## Waste Pipe Outlet Dimensions

a = min extension of trap  
b = max extension of the trap

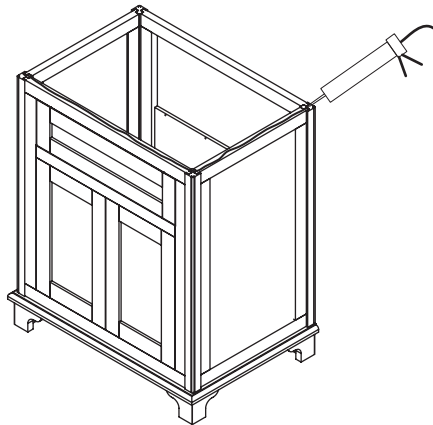


\* 5mm clearance to top of back board

	Standard Waste	Pop-Up Waste
Trad Bottle Trap	37mm min *23mm max	25mm min *23mm max
Modern Bottle Trap	23mm min - mm max	- mm min - mm max
P Trap	48mm min *21mm max	33mm min *21mm max
S Trap	N/A	N/A

 **Prior to drilling check for hidden cables & pipes**

- Check all holes are marked up in the correct location.
- Drill all necessary holes and insert wall plugs.
- Support the unit from underneath and offer it up to the wall. Secure all fixings through the unit and into the wall, ensuring all connections are tight and firm.
- Secure basin to unit with a small bead of silicon sealant to finish.



- You are now free to connect all plumbing fixtures to the basin (taps, waste etc.)  
This completes the installation of the vanity unit.

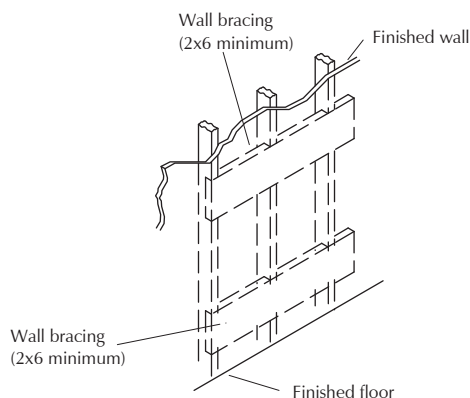
# IMPERIAL

## Fitting onto a stud wall

When installing our wall hung furniture units into a stud wall it is necessary to add additional support in order to ensure the unit can be securely and safely installed.

Install the wall bracing at a minimum of 2x6" and the width of the unit ensuring that there are an adequate number of stud beams to anchor the bracing.

Mark the centre line and continue to finish the wall as required. Mount the unit using suitable fixings for your wall type.



⚠ Imperial strongly recommend to mount the unit using the wall bracing method. The furniture unit is tested to withstand a maximum load in line with guidance set by European standards.

⚠ If the furniture is fixed using a basin frame Imperial cannot guarantee the load bearing capacity of the unit.

You have just acquired a high quality and expensive piece of furniture and are about to put it in the most hostile environment in the house! We have been producing these fine products for many years and our experience is that they will give years of pleasurable service if a few simple measures are taken to look after them.

**Ceramic:**

The glazed finish of your sanitary ware should be cleaned after use by applying a little cream type cleaner. Apply using a sponge or damp cloth and rinse thoroughly with clean water. Cleaners containing abrasive materials should be avoided.

**Metal:**

Parts with Chrome/Gold finish should be cleaned with a damp soft cloth only. The use of detergents and abrasive cleaning agents should be avoided as these will cause damage to the finish of the metal.

To preserve the finish of Gold and Nickel plated items Imperial recommend the use of soap and water only for cleaning and ensure that the product is thoroughly dried after with a soft lint free cloth.

Do not use abrasive polish or cleaners.

Commercial/domestic spray cleaners are not to be used as they contain strong chemicals that will burn and even remove the plated finish.

In the event of strong bleaches or cleaning products being used resulting in plated finish being chemically burnt/tarnished will be void any warranty or guarantee.

Care should be taken with hand gels and mouth wash as they contain alcohol which will burn and tarnish the plated finish.

By adopting Imperial's recommended care and cleaning advice will give many years of pleasure, we hope you enjoy your new bathroom fittings.

## Wood:

Bathroom furniture can be wiped over using a damp cloth and dried with a soft duster. The use of polishes using silicon or any abrasive materials can damage the wood finish. Natural wax polishes should be used sparingly and applied using a soft dry cloth.

Always use your best efforts to keep the wood surface dry. The finish will deteriorate and the underlying timber could become permanently stained if subjected to long term contact with water.

### **Dark and light oak oiled finishes**

Units and cabinets are manufactured from solid wood and have been crafted and finished by hand within Imperial's factory.

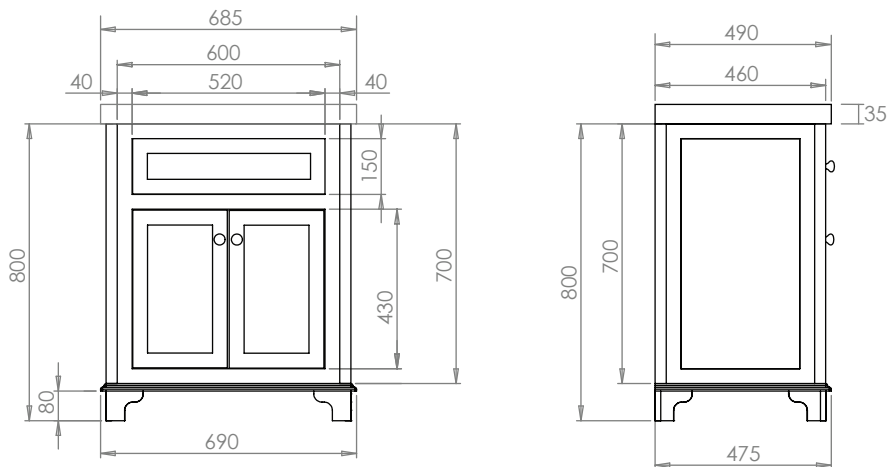
The finish is applied by hand onto solid wood to maintain the natural look of the grain. The surface is not finished with a clear lacquer.

Like all hand made quality furniture within the home, care needs to be taken against spillage otherwise the finish could become compromised resulting in permanent staining of the wood surface.

Spillages should be wiped dry immediately after use with a soft lint free cloth. In the event of staining or damage a care kit or recovery kit is required. Please visit [www.rubiomonocoat.com](http://www.rubiomonocoat.com) for advice and sales of these products.

## Technical specification

### Thurlestone 2 door vanity unit



# IMPERIAL

The Imperial Bathroom Company  
England

Tel: +44 (0)1922 743074, Fax: +44 (0)1922 743180  
[www.imperial-bathrooms.co.uk](http://www.imperial-bathrooms.co.uk)